

VIP™
VERTICAL INDICATOR PANEL
TD6000 MODEL

NCHRP350 CRASH TEST CERTIFIED AND MUTCD STANDARDS



FEATURES:

- Large handle area insures an easy grip
- Includes a built in caution knob for simple wrap around tape application
- Hassle free warning light placement.
- Manufactured from low density polyethylene utilizing polymer protection and UV stabilizer.
- Extra large flange provides extra support while on the job or stacked with TD8000 rubber bases.
- Available with 100% Post-Consumer Recycled Diamond Series rubber bases in 20 and 30 lbs weights. Please see TD8000 Series Diamond Bases for benefits.

COLORS AVAILABLE:

The TD6000 VIP is currently available in Fluorescent Orange, Black, Yellow or White. Three D Traffic Works can manufacture this product to your desired color.

NCHRP350 Approved : WZ-118.
MUTCD Compliant .
Sheeting is ASTM 4956.01 compliant.

GENERAL INFORMATION:

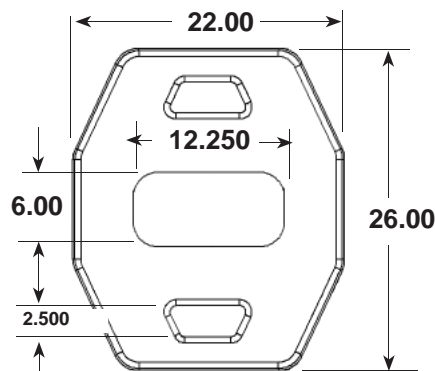
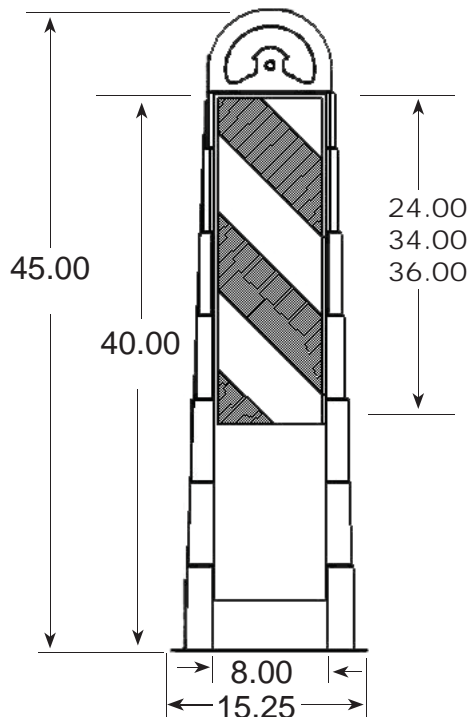
General information is listed on the reverse side. The measurements provided are intended only as a source of information. They are given without guarantee and are not classified as a warranty. A specification will be sent to you upon request.





TD6000 MODEL
V.I.P. VERTICAL INDICATOR PANELS
SPECIFICATIONS

- Dimensions of 45" model:
Overall Height: 45 Inches.
Panel Height: 40 Inches.
Panel Width: 8 inches.
Weight: 5.5 lbs.
Width at Base: 15.25 Inches
- V.I.P. Vertical Panel is a two-piece design consisting of a molded plastic vertical panel and 100% Post Consumer Recycled "Diamond" Series Rubber Base available in 20 and 30 lb. weights.
- Product to have recessed hole for light attachment and leveler pad for light on opposite side of unit.
- Available with Right Hand, Left Hand or with Barrel Reflective Sheeting.
- NCHRP350 Approved: WZ-118
- Vertical panels conform to NCHRP350 criteria and Federal MUTCD standards for nighttime use.
- Colors: Fluorescent Orange, Black, Yellow or White.
- Material: Low Density Polyethylene. Dioxin-Free.



20 & 30 lb. TD8200 Series
Diamond Series Rectangular Base
100% Post Consumer Recycled Rubber

20 lb base is 1.750" thick .
30 lb base is 2.250" thick.

TD6000 - 45" Standard VIP

Sheeting Area for the TD6000:
8" X 24" = 192 sq. inches.
8" X 34" = 272 sq. inches.
8" X 36" = 288 sq. inches.



We gratefully acknowledge the assistance of CalRecycle in developing our extensive line of recycled rubber bases.