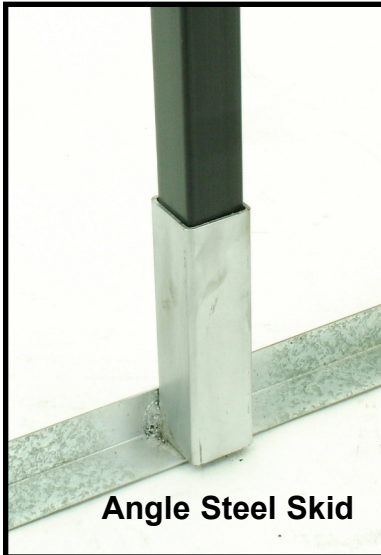


# WORKS BARRICADE TYPE III PLASTIC BARRICADE TD2400 MODEL

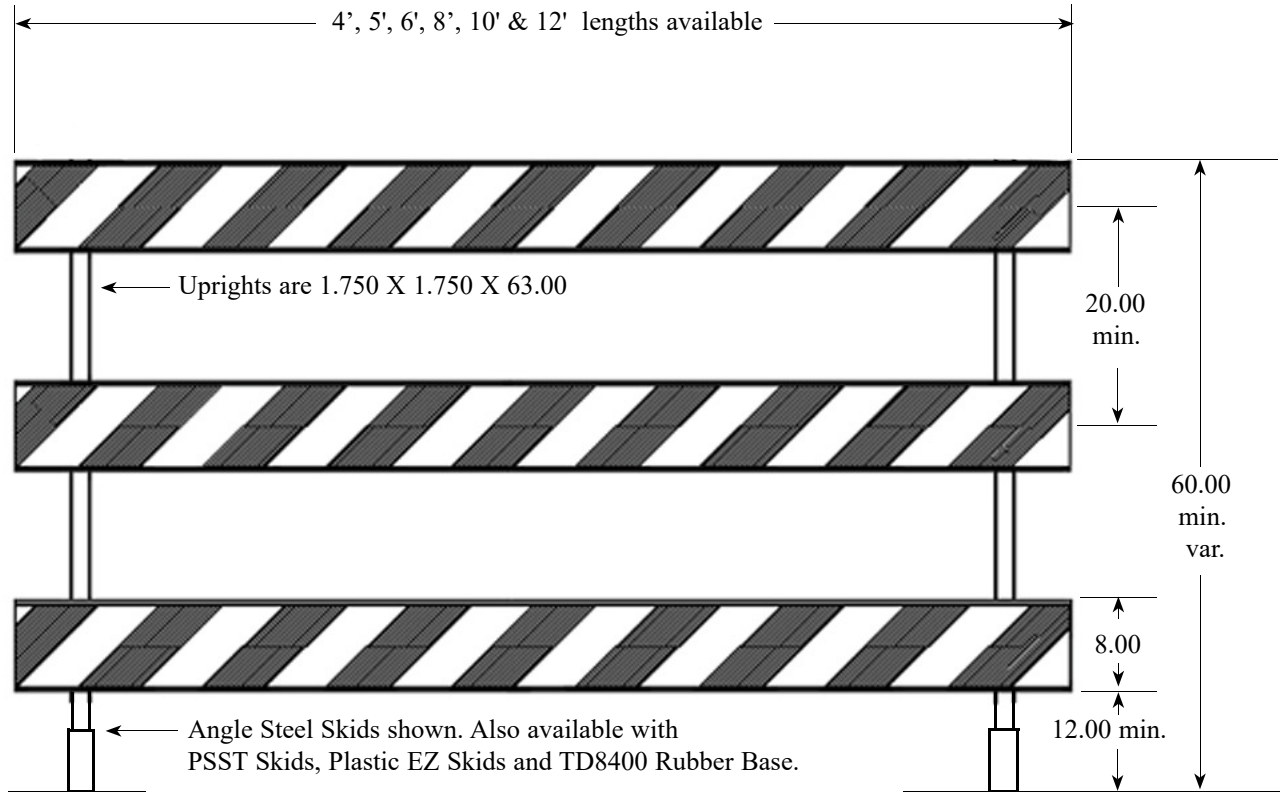
Certified To Meet The Crashworthy Requirements of NCHRP-350



## FEATURES:

- All Plastic Materials are manufactured from specially formulated UV Stabilized Polymer Alloys with our exclusive Cold Weather Protection Package. All Plastics are from 100% Recycled sources.
- Designed to yield upon impact to minimize damage.
- Reinforced ribs in the uprights provide extra strength and warping in hot climates.
- Lightweight, durable and easy to assemble.
- Available with TD4000 (1"x 8" and 2"x 8") extrusion.
- NCHRP350 Approved: WZ-217.
- Unistrut's Telespar Tubing has Breakaway Base feature.
- Rubber Base is made from 100% Post-Consumer Recycled Rubber. See TD8400 Base for more information.
- Durable hot rolled carbon steel skids are protected with a long lasting galvanized coating.





## TD2400 MODEL TYPE III PLASTIC BARRICADE

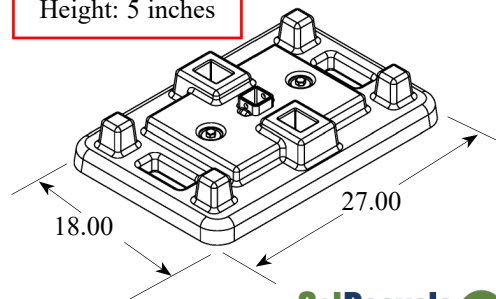
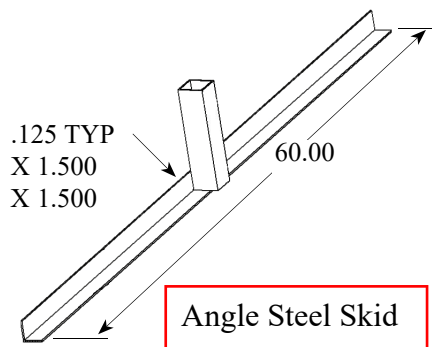
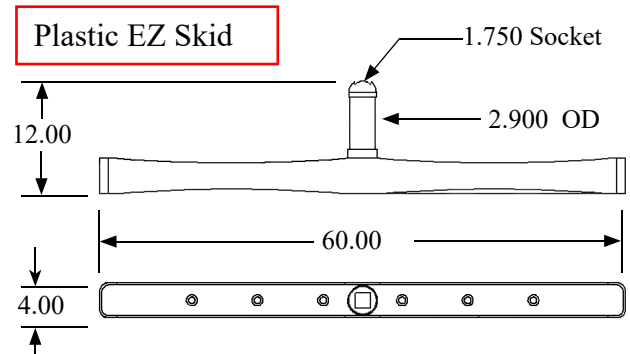
**Panels are available with: Chevron Reflective Sheeting, Left or Right Hand, Divergent or with Same Direction Reflective Sheeting. All Sheeting is ASTM 4956 Compliant.**

**Plastic Barricade Panels are 1" X 8" or 2" X 8" and are available in 4' thru 8' lengths.**  
**Rail Boards are made from 100% Recycled Material .**  
**All Plastic Materials: UV Stabilized Polymer Alloys with a Cold Weather Protection Package.**  
**For High Wind areas use extra bags.**

**NCHRP350 Compliant: WZ-217**

**Meets MUTCD Standards**

TD8400 Base  
Weight: 35 lbs.  
Height: 5 inches



Three D Traffic Works acknowledges the assistance of CalRecycle in developing our extensive line of recycled rubber bases.

