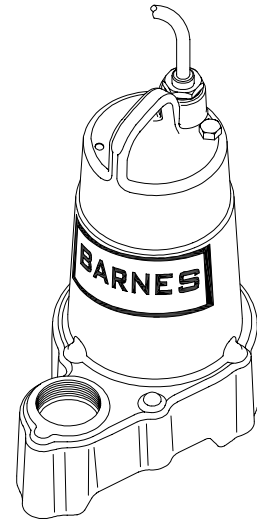


Sump Pumps

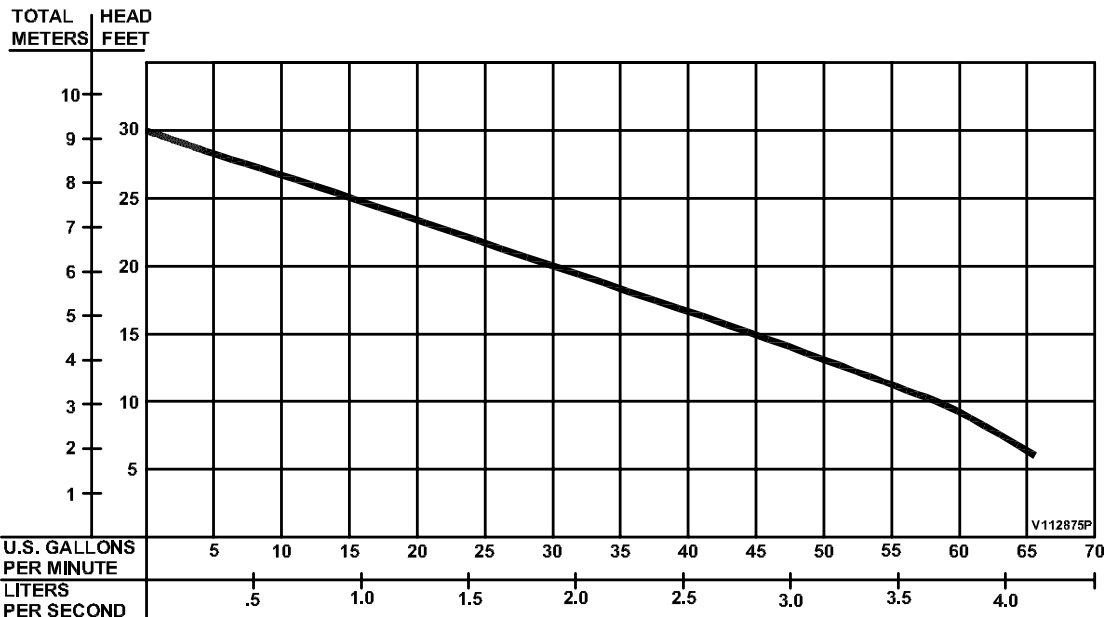
DISCHARGE	1½" NPT, Female, Vertical
LIQUID TEMPERATURE	104°F (40°C) Continuous
MOTOR HOUSING	Cast Iron
PUMP STRAINER	Thermoplastic
IMPELLER: <i>Design</i>	10 Vane vortex, with pump out vanes on back side. Balanced, ISO G6.3
<i>Material</i>	Cast Iron
SHAFT	Stainless Steel
O-RINGS	Buna-N
HARDWARE	300 Series Stainless Steel
PAINT	Air Dry Enamel
SEAL: <i>Design</i>	Single Mechanical, Type 21
<i>Material</i>	Silicon Carbide/Silicon Carbide/Buna-N
CORD ENTRY	20 ft. (6m) Cord with plug and pressure Grommet for sealing and strain relief
UPPER BEARING	Single Row, Ball, Oil Lubricated
LOWER BEARING	Single Row, Ball, Oil Lubricated
MOTOR: <i>Design</i>	Oil Filled
<i>Insulation</i>	Class B
SINGLE PHASE	Permanent Split Capacitor (PSC). Includes thermal overload protection in motor
LEVEL CONTROL	
SP50X	None
SP50AX.....	Wide angle, Mechanical, 20 ft. (6m) cord
SP50VFX	Vertical float, PVC, snap action, 20 ft (6m) cord
MINIMUM SUMP DIA:	
SP50AX.....	18" (457mm)
SP50X & SP50VXF....	12" (305mm)



Series: SP50
1/2HP, 3450RPM, 60Hz

 **CSA 108**
UL 778
LR16567

DESCRIPTION:
GENERAL PURPOSE PUMP FOR RESIDENTIAL AND LIGHT INDUSTRIAL SUMP APPLICATIONS



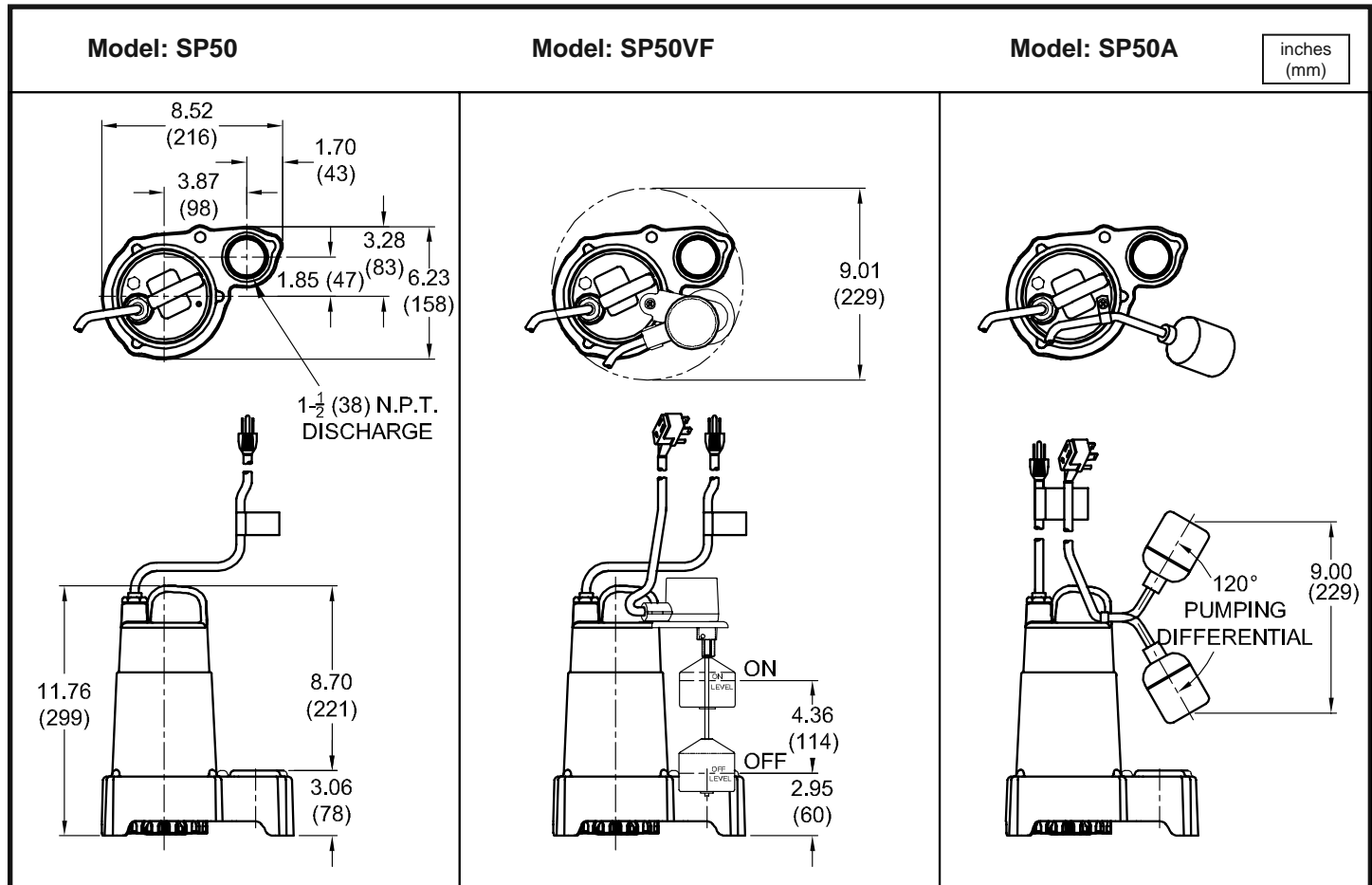
Testing is performed with water specific gravity of 1.0 @ 68°F (20°C), other fluids may vary performance

Series SP50

1/2" Spherical Solids Handling

Manual & Automatic, Submersible Sump /Effluent

Sump Pumps



MODEL NO	PART NO	HP	VOLT/PH	Hz	RPM (Nom)	NEMA START CODE	FULL LOAD AMPS	CORD LENGTH	CORD SIZE	CORD TYPE
SP50X	112875	1/2	120/1	60	3450	A	6.8	20 ft. (6m)	14/3	SJTOW
SP50AX	112877	1/2	120/1	60	3450	A	6.8	20 ft. (6m)	14/3	SJTOW
SP50VFX	112879	1/2	120/1	60	3450	A	6.8	20 ft. (6m)	14/3	SJTOW

IMPORTANT !

- 1.) PUMP MAY BE OPERATED "DRY" FOR EXTENDED PERIODS WITHOUT DAMAGE TO MOTOR AND/OR SEALS.
- 2.) THIS PUMP IS APPROPRIATE FOR THOSE APPLICATIONS SPECIFIED AS CLASS I DIVISION II HAZARDOUS LOCATIONS.
- 3.) THIS PUMP IS NOT APPROPRIATE FOR THOSE APPLICATIONS SPECIFIED AS CLASS I DIVISION I HAZARDOUS LOCATIONS.
- 4.) INSTALLATIONS SUCH AS DECORATIVE FOUNTAINS OR WATER FEATURES PROVIDED FOR VISUAL ENJOYMENT MUST BE INSTALLED IN ACCORDANCE WITH THE NATIONAL ELECTRIC CODE ANSI/NFPA 70 AND/OR THE AUTHORITY HAVING JURISDICTION. THIS PUMP IS NOT INTENDED FOR USE IN SWIMMING POOLS, RECREATIONAL WATER PARKS, OR INSTALLATIONS IN WHICH HUMAN CONTACT WITH PUMPED MEDIA IS A COMMON OCCURRENCE.