

SMP-RP-HDX

Unlimited Width Cable Reel Roller System (Sold in Pairs)



The SMP-RP-HDX reel roller system is ideal for storage, dispensing and management solution of cable reels ranging from 12" to 48" in diameter. The SMP-RP-HDX is sold in pairs and can accommodate cable drums with weights up to 3,000 pounds. The ten (10) gauge steel frames include five (5) position adjustments for the rollers, a slanted loading ramp, front roller locks for easy loading & unloading, and pre-drilled holes for permanent mounting applications.

Features:

- Sold as a set: one (1) SMP-RP-HDX per reel (reel sold separately)
- 3,000 lbs. capacity per pair
- Product weight: 26 lbs. each (54 lbs. per set)
- Minimum reel width: 6" (15 cm)
- Maximum reel diameter: 48" (122 cm)
- Hex bore ball bearing reel rollers
- Powder coated finish
- Five (5) position roller adjustment
- Frames constructed of 10-gauge steel bolted together
- Slanted loading ramp & front roller lock for loading/unloading
- Pre-drilled base for bolt-down installation
- Outside roller dimensions: 4.5" H x 9" W x 29.5" D
- Made in the USA



P.O. Box 12017 Marina del Rey, CA 90292
Phone: 310-822-6290 Fax: 310-306-9343
Email: info@spoolmaster.com
Visit us online at www.spoolmaster.com



SMP-RP-HDX

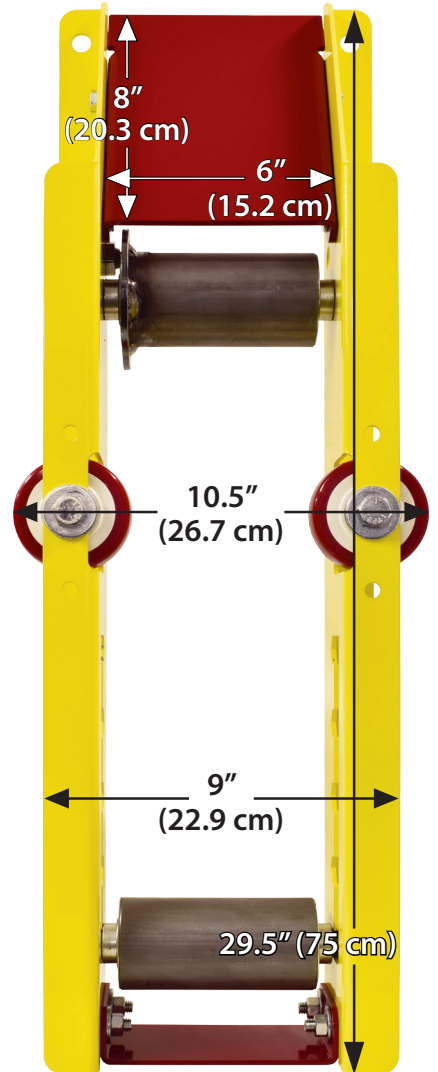
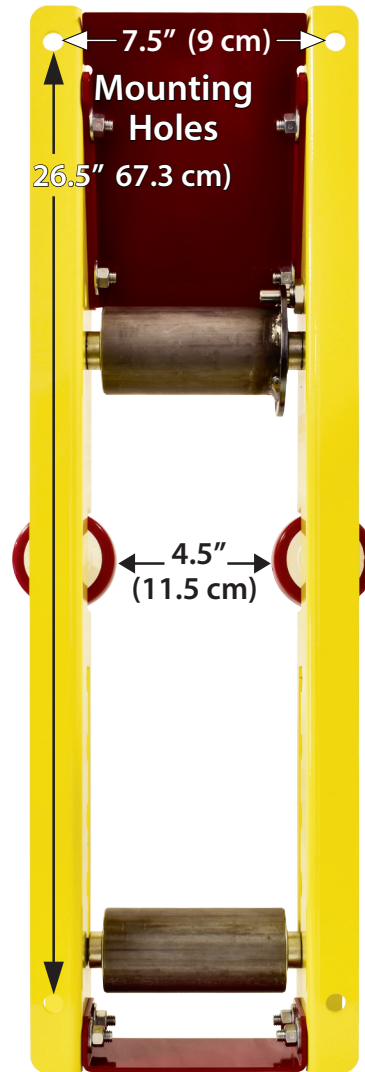
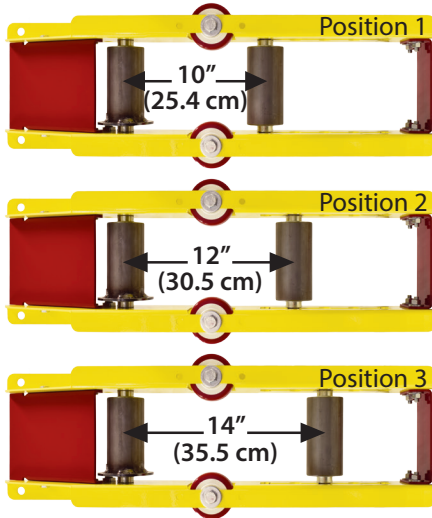
Unlimited Width Cable Reel Roller System (Sold in Pairs)

Dimensions Per Roller:

Length:	29.5" (75 cm)
Width:	9" (22.9 cm)
Depth:	4.5" (11.5 cm)
Weight:	26 lbs (11.8 kg)
Ramp (Length):	8" (20.3 cm)
Ramp (Width):	6" (15.2 cm)

Distance Between Center Points on Rollers:

Position 1:	10" (25.4 cm)
Position 2:	12" (30.5 cm)
Position 3:	14" (35.5 cm)
Position 4:	16" (40.6 cm)
Position 5:	18" (45.7 cm)



Optional Accessories for SMP-RP-HDX Reel Roller Systems

SMP-ASA

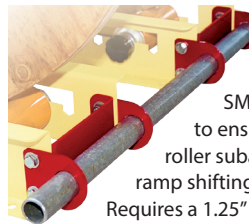
Arbor Support Assembly



The SMP-ASA mounts on the outside of both reel rollers to prevent dislodging of cable reels, requires a 1.5" pipe (not included). One (1) SMP-ASA set includes two (2) supports for one (1) SMP-RP-HDX set.

SMP-PSA

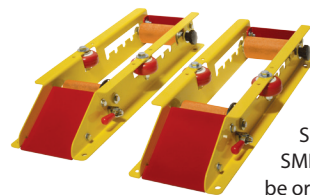
Platform Stabilizer Assembly



The SMP-PSA is a set of red brackets bolted to the back of one (1) SMP-RP-HDX reel roller set to ensure parallel positioning of roller subassemblies. This prevents ramp shifting or wheel wedging. Requires a 1.25" pipe (not included).

SMP-PRC

Polyurethane Roller Covers (Orange Rollers)



Protects the steel rollers and bearings from impact, shock & vibration. One (1) SMP-PRC per one (1) SMP-RP-HDX set, must be ordered together.



P.O. Box 12017 Marina del Rey, CA 90292
 Phone: 310-822-6290 Fax: 310-306-9343
 Email: info@spoolmaster.com
 Visit us online at www.spoolmaster.com

