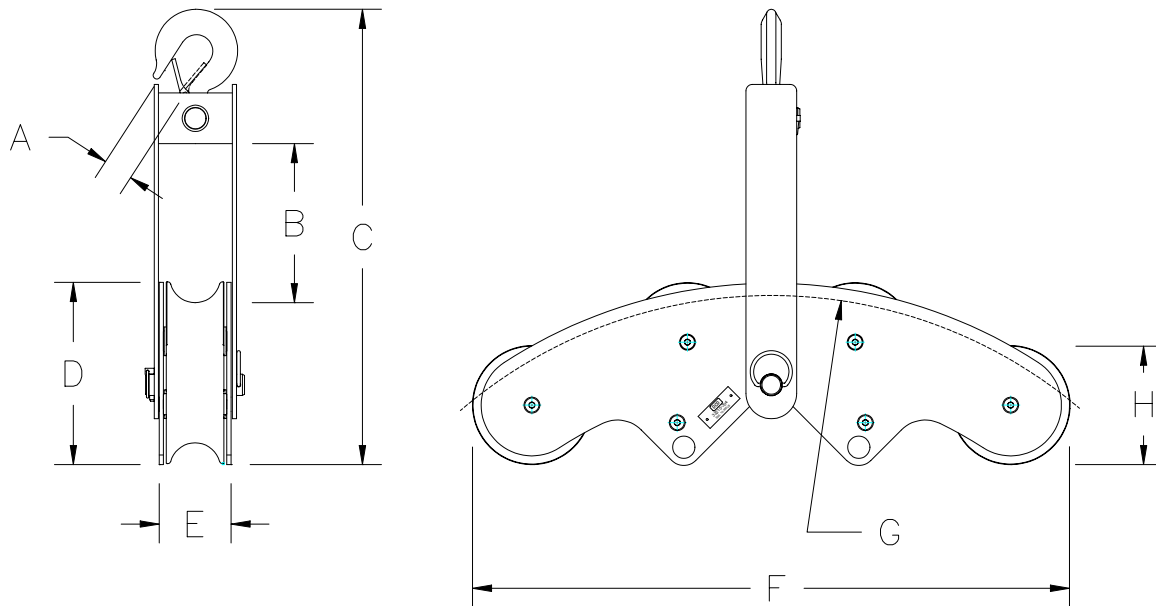


# OPERATING SPECIFICATIONS



## SERIES 32200 Quadrants & Hangers

1. Quadrants & Hangers are intended for guiding large diameter cables around a corner.



Part Number	Safe Working Limit	Ultimate Load	A	B	C	D	E	F	G	H	Net Weight
<b>32200-304</b>	10,000 lb 45 kN	30,000 lb 135 kN	1-5/16" 33 mm	9-3/8" 238 mm	26-7/8" 683 mm	10-13/16" 275 mm	4-1/4" 108 mm	35-3/8" 900 mm	28-1/4" 718 mm	7" 178 mm	94 lb 43 kg
<b>32200-404</b>	10,000 lb 45 kN	30,000 lb 135 kN	1-5/16" 33 mm	9-7/16" 240 mm	26-15/16" 684 mm	10-13/16" 275 mm	4-7/8" 124 mm	35-3/8" 900 mm	28-1/4" 718 mm	7" 178 mm	94 lb 43 kg
<b>32200-504</b>	10,000 lb 45 kN	30,000 lb 135 kN	1-5/16" 33 mm	13-7/16" 340 mm	30-15/16" 786 mm	10-13/16" 275 mm	5-5/8" 143 mm	35-3/8" 900 mm	28-1/4" 718 mm	7" 178 mm	107 lb 49 kg
<b>32200-603</b>	10,000 lb 45 kN	30,000 lb 135 kN	1-5/16" 33 mm	8-3/8" 213 mm	33-1/2" 850 mm	19-9/16" 497 mm	7-1/4" 184 mm	34" 864 mm	29-1/8" 740 mm	11" 280 mm	149 lb 68 kg
<b>32200-803</b>	10,000 lb 45 kN	30,000 lb 135 kN	1-5/16" 33 mm	8-3/4" 222 mm	33-1/2" 930 mm	19-9/16" 497 mm	9-1/4" 235 mm	34" 864 mm	28-3/4" 730 mm	11" 280 mm	176 lb 80 kg

Dimensions and weights subject to change without notice.

The **Safe Working Limit** is the maximum line pull and is calculated using a 3:1 safety factor based on the ultimate load.

# OPERATING INSTRUCTIONS



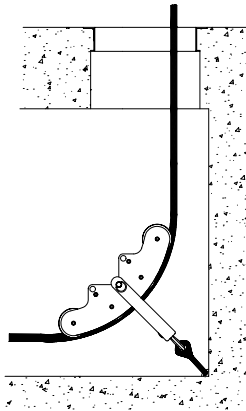
## SERIES 32200 QUADRANTS & HANGERS

### INSTALLATION

There are two ways to install the quadrants and hangers:

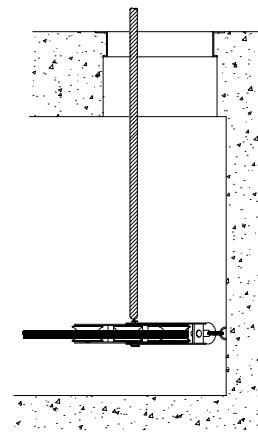
#### VERTICALLY

1. Tie off arm to pulling irons in manhole.



#### HORIZONTALLY

2. Tie off arm to pulling irons in manhole. Attach line to "D" ring on sheave pin to support sheave.



### SAFETY



1. The quadrant is designed to operate only within its specified **safe working limit** (see *Operating Specifications*). Operation of the quadrant at loads in excess of **safe working limit** will void the warranty.
2. For underground use, the recommended safe working limit is 3:1 based on its ultimate load.
3. Never use a worn, defective or incomplete component. Ensure that all components of the pulling system are able to withstand the maximum pulling loads. Components not rated for the pull force may break and release the stored energy of the pull.
4. Do not modify the quadrant. It has been assembled, inspected, and is only covered by a warranty in its "as shipped" form. Any attempt to modify the quadrant will void the warranty and may result in property damage, severe bodily harm, or death.
5. Be prepared for the unexpected. Use recognized safety practices and wear recognized safety equipment.

### SERVICE



Replacement sheaves are available for this product.