

Submersible Dewatering Pumps

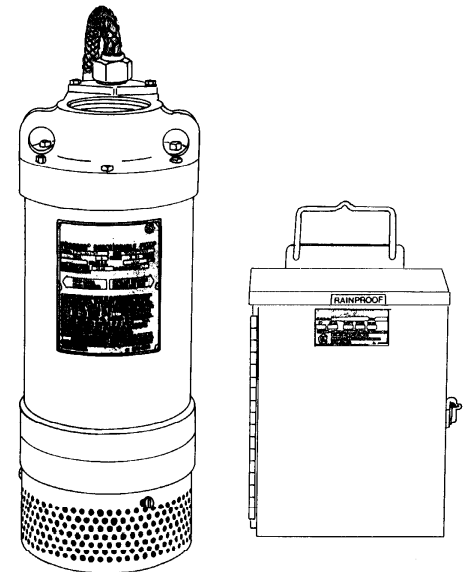
DISCHARGE CASE	356T6 Aluminum, Hard Anodized
DIFFUSER	356T6 Aluminum, Hard Anodized
SUCTION CASE	356T6 Aluminum, Hard Anodized, with wear resistant polyurethane liner
FRAME & OUTER CASE	6063T6 Aluminum, Hard Anodized
WEAR PLATE	Polyurethane
PUMP SHAFT	Stainless Steel
IMPELLER	Hardened 17-4 Stainless Steel
HARDWARE	Stainless Steel
O-RINGS	Buna-N
SEAL <i>Design</i>	Tandem mechanical, Oil lubricated
INBOARD <i>Material</i>	Rotating Face - Carbon Stationary Face - Ceramic Elastomer - Buna-N Hardware - 300 Series Stainless
OUTBOARD <i>Material</i>	Rotating Face - Silicon Carbide Stationary Face - Silicon Carbide Elastomer - Viton® Hardware - 300 Series Stainless
STRAINER	300 series stainless steel, .25" (6.35mm) Holes
UPPER BEARING:	
<i>Design</i>	Single Row, Shielded, Ball
<i>Lubrication</i>	Prelubricated high-temperature grease
<i>Load</i>	Radial
LOWER BEARING:	
<i>Design</i>	Single Row, Shielded, Ball
<i>Lubrication</i>	Prelubricated high-temperature grease
<i>Load</i>	Radial & Thrust
CORD ENTRY	50Ft. (15m) with Strain Relief and Pressure Grommet for Sealing
MOTOR: <i>Design</i>	NEMA Design B - Three Phase, Squirrel Cage Induction
<i>Insulation</i>	Class F
CONTROL: <i>Three Phase</i>	Rainproof NEMA 3R. Provides with Circuit Breaker for overload and short circuit protection
OPTIONAL EQUIPMENT	Watertight, NEMA 4 Control. Discharge Adapters kits, Carrying Handle, Sludge Strainer, Viton® Seals, and Lift Cord. See accessory section for additional information.

50HZ DATA AVAILABLE UPON REQUEST

WARRANTY INVALID IF CORRECT PROSSER CONTROL IS NOT USED AT ALL TIMES.

WEIGHT
 Pump Only - 64 lbs./ 29 kg.
 Control - 12 lbs./ 5.4 kg.
 Cord - .27 lbs/Ft / .40kg/m

SHIPPING WT./STD. UNIT
 Pump, Cord & Control
 Domestic - 93 lbs. / 42 kg
 Export - 130 lbs. / 4.2 Cu. Ft.



Series: 9-50000, 5.0HP, 3Ph



CSA 108 - File No. LR16567
UL 778

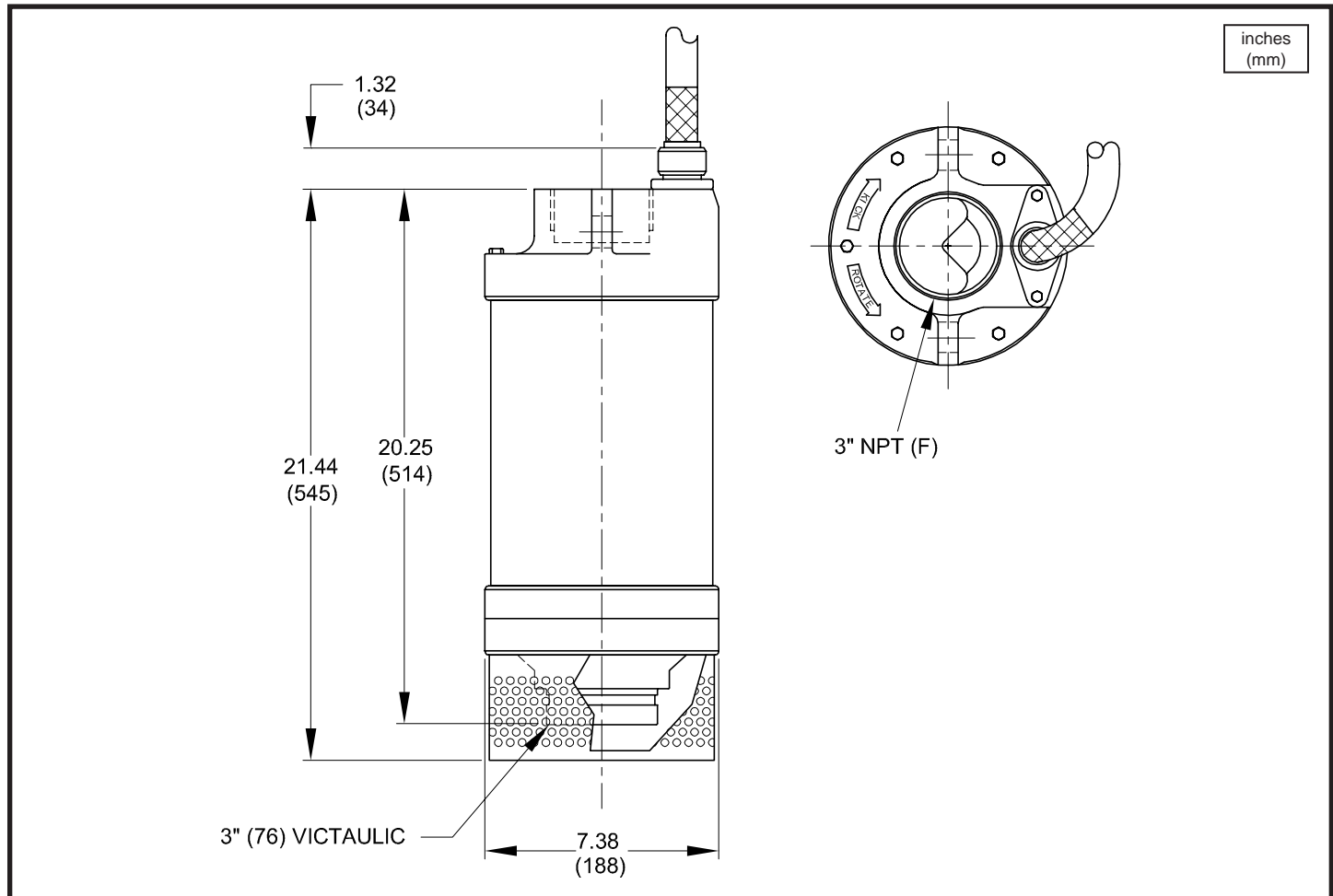
DESCRIPTION:

Prosser's small but powerful Portable Electric Submersible Pumps are compact, lightweight units. They are quiet and will operate in any position. No priming, suction hose or foot valves are required. Prosser pumps can be easily staged for higher head applications. The patented outboard shaft seal on this pump is a specially designed silicon carbide abrasive resistant type "S" shaft seal, which offers greater service life. A special abrasion resistant suction case lining and wear plate is a standard feature that protects the pump against wear from abrasive laden water.

The unique in-line design assures a cool running motor with heat transferred to the pumped liquid. Prosser pumps can operate in up to 140°F (60°C) temperature water and within a range of 5 to 9PH.

Before pumping fluids other than water consult the factory, giving fluid, fluid temperature, specific gravity, viscosity, capacity in USGPM and total head and/or pressure requirements, including friction loss through discharge line, fittings, valves, etc.

Submersible Dewatering Pumps



PART NO.	HP	VOLT/PH	Hz	RPM (Nom.)	NEMA START CODE	FULL LOAD AMPS	LOCKED ROTOR AMPS	CORD SIZE	CORD TYPE	MAX. CORD LENGTH
PUMP w/RAINPROOF CONTROL										
9-50132-03	5.0	230/3	60	3450	H	15.5	87.8	12/4	SOW	225Ft./69m
9-50134-03	5.0	460/3	60	3450	H	7.8	43.9	12/4	SOW	975Ft./300m
9-50135-03	5.0	575/3	60	3450	H	6.2	35.1	12/4	SOW	1375Ft./423m
PUMP w/OPTIONAL WATERTIGHT CONTROL										
9-50132-04	5.0	230/3	60	3450	H	15.5	87.8	12/4	SOW	225Ft./69m
9-50134-04	5.0	460/3	60	3450	H	7.8	43.9	12/4	SOW	975Ft./300m
9-50135-03	5.0	575/3	60	3450	H	6.2	35.1	12/4	SOW	1375Ft./423m

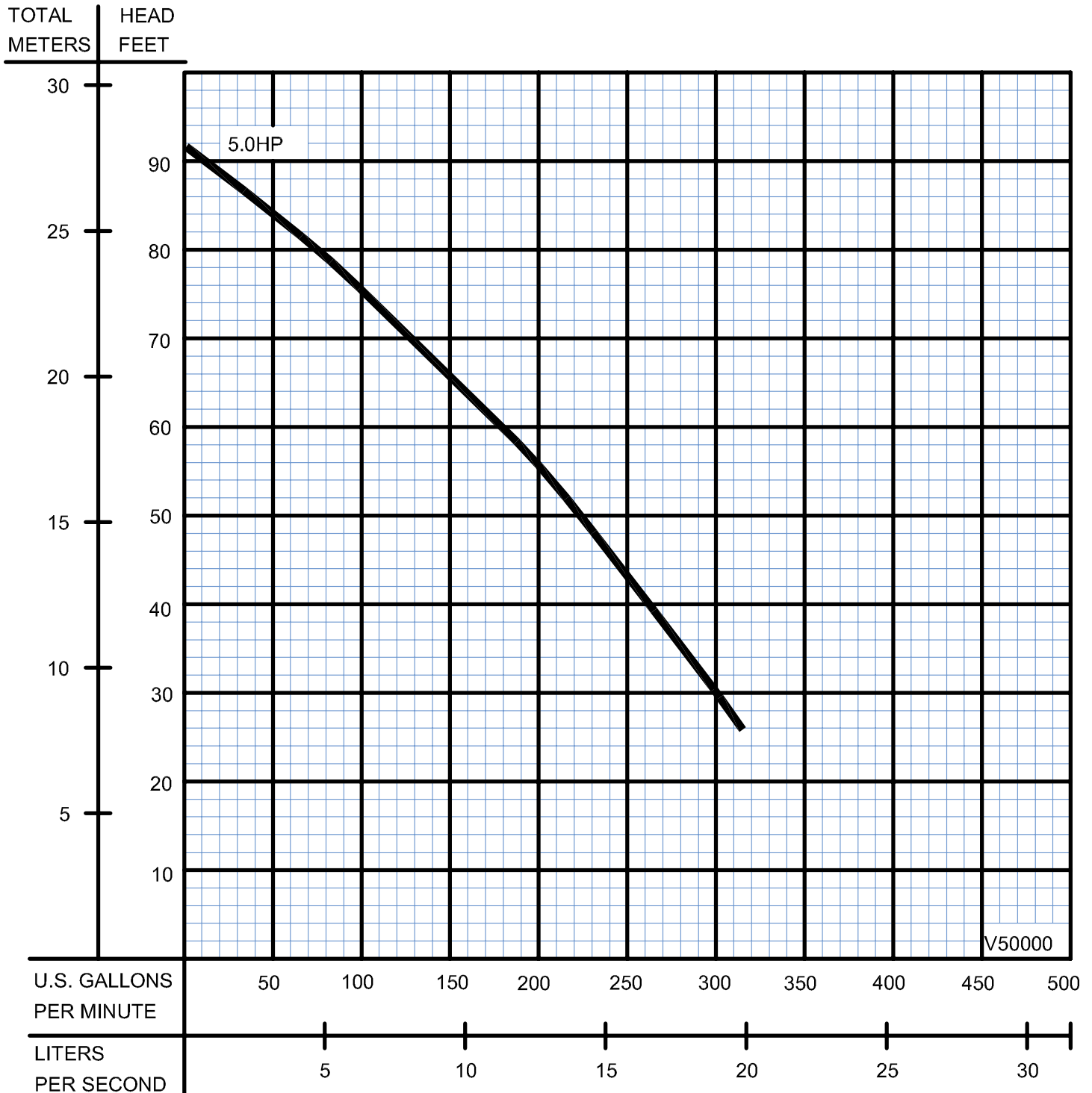
Pump rated for operation at ± 10% voltage at motor.

IMPORTANT !

- 1.) PUMP MAY BE OPERATED "DRY" FOR EXTENDED PERIODS WITHOUT DAMAGE TO MOTOR AND/OR SEALS.
- 2.) THIS PUMP IS APPROPRIATE FOR THOSE APPLICATIONS SPECIFIED AS CLASS I DIVISION II HAZARDOUS LOCATIONS. THE CONTROL SUPPLIED WITH THE PUMP IS NOT APPROPRIATE FOR HAZARDOUS LOCATIONS.
- 3.) THIS PUMP IS NOT APPROPRIATE FOR THOSE APPLICATIONS SPECIFIED AS CLASS I DIVISION I HAZARDOUS LOCATIONS.
- 4.) INSTALLATIONS SUCH AS DECORATIVE FOUNTAINS OR WATER FEATURES PROVIDED FOR VISUAL ENJOYMENT MUST BE INSTALLED IN ACCORDANCE WITH THE NATIONAL ELECTRIC CODE ANSI/NFPA 70 AND/OR THE AUTHORITY HAVING JURISDICTION. THIS PUMP IS NOT INTENDED FOR USE IN SWIMMING POOLS, RECREATIONAL WATER PARKS, OR INSTALLATIONS IN WHICH HUMAN CONTACT WITH PUMPED MEDIA IS A COMMON OCCURRENCE.

SECTION A
PAGE 22
DATE 7/05

Submersible Dewatering Pumps



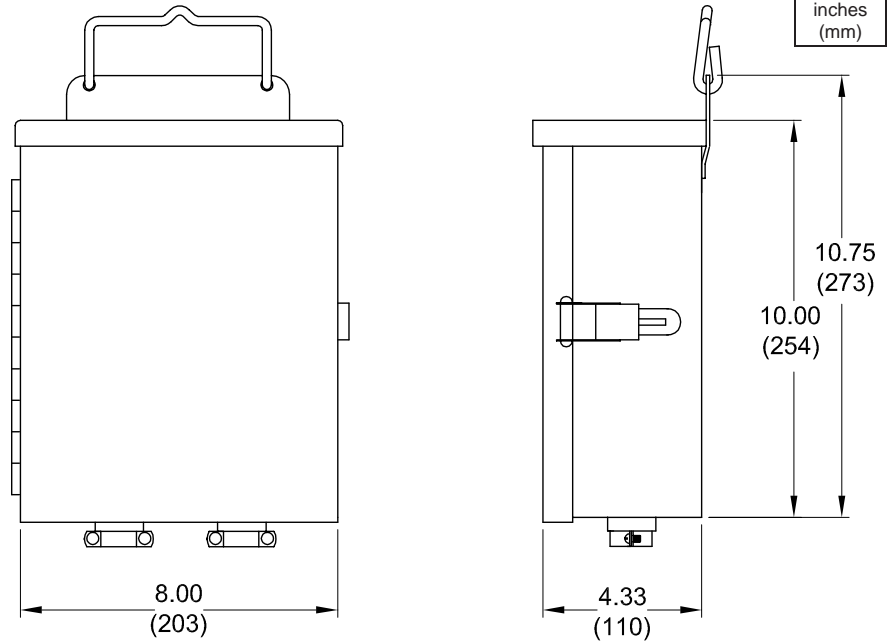
Testing is performed with water, specific gravity 1.0 @ 68° F @ (20°C), other fluids may vary performance

SECTION A
PAGE 23
DATE 7/05

Submersible Dewatering Pumps

CONTROL NEMA 3R, RAINPROOF

Pump P/N:	Control P/N
9-50132-03	9-810834-03
9-50134-03	9-500834-03
9-50135-03	9-500835-03



OPTIONAL - CONTROL NEMA 4, WATERTIGHT

Pump P/N:	Control P/N
9-50132-04	9-810834-04
9-50134-04	9-500834-04
9-50135-04	9-500835-04

