

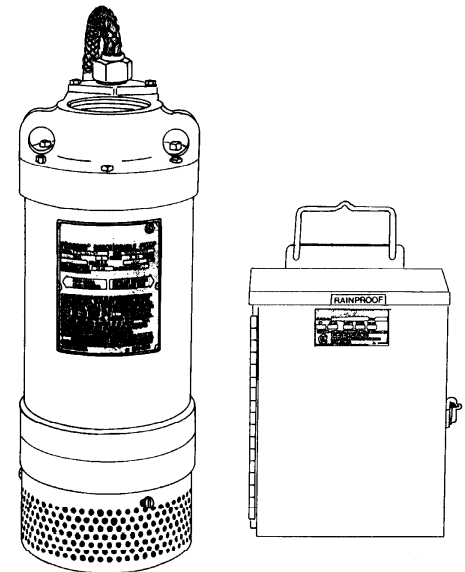
## Submersible Dewatering Pumps

<b>DISCHARGE CASE</b> .....	356T6 Aluminum, Hard Anodized
<b>DIFFUSER</b> .....	356T6 Aluminum, Hard Anodized
<b>SUCTION CASE</b> .....	356T6 Aluminum, Hard Anodized, with wear resistant polyurethane liner
<b>FRAME &amp; OUTER CASE</b> .....	6063T6 Aluminum, Hard Anodized
<b>WEAR PLATE</b> .....	Polyurethane
<b>PUMP SHAFT</b> .....	Stainless Steel
<b>IMPELLER</b> .....	Hardened 17-4 Stainless Steel
<b>HARDWARE</b> .....	Stainless Steel
<b>O-RINGS</b> .....	Buna-N
<b>SEAL</b> <i>Design</i> .....	Tandem mechanical, Oil lubricated
<b>INBOARD</b> <i>Material</i> .....	Rotating Face - Carbon Stationary Face - Ceramic Elastomer - Buna-N Hardware - 300 Series Stainless
<b>OUTBOARD</b> <i>Material</i> .....	Rotating Face - Silicon Carbide Stationary Face - Silicon Carbide Elastomer - Viton® Hardware - 300 Series Stainless
<b>STRAINER</b> .....	300 series stainless steel, .25" (6.35mm) Holes
<b>UPPER BEARING:</b>	
<i>Design</i> .....	Single Row, Shielded, Ball
<i>Lubrication</i> .....	Prelubricated high-temperature grease
<i>Load</i> .....	Radial
<b>LOWER BEARING:</b>	
<i>Design</i> .....	Single Row, Shielded, Ball
<i>Lubrication</i> .....	Prelubricated high-temperature grease
<i>Load</i> .....	Radial & Thrust
<b>CORD ENTRY</b> .....	50Ft. (15m) with Strain Relief and Pressure Grommet for Sealing
<b>MOTOR:</b> <i>Design</i> .....	NEMA Design L-Single Phase, Squirrel Cage Induction
<i>Insulation</i> .....	Class F
<b>CONTROL:</b> <i>Single Phase</i> .....	Rainproof NEMA 3R. Provides overload and short circuit protection, Start & Run Capacitors, ON-OFF Switch.
<b>OPTIONAL EQUIPMENT</b> .....	Watertight, NEMA 4 Control. Discharge Adapters kits, Carrying Handle, Sludge Strainer, Viton® Seals, and Lift Cord. See accessory section for additional information.

**WARRANTY INVALID IF CORRECT PROSSER CONTROL IS NOT USED AT ALL TIMES.**

**WEIGHT**  
 Pump Only - 50 lbs./ 22.7 kg.  
 Control - 12 lbs./ 5.4 kg.  
 Cord - .27 lbs/Ft / .40kg/m

**SHIPPING WT./STD. UNIT**  
 Pump, Cord & Control  
 Domestic - 79 lbs. / 35.8 kg  
 Export - 114 lbs. / 3.6 Cu. Ft.



Series: 9-27000, 2.75HP, 1Ph



ASSOCIATION OF  
EQUIPMENT  
MANUFACTURERS



CSA 108 - File No. LR16567  
UL 778

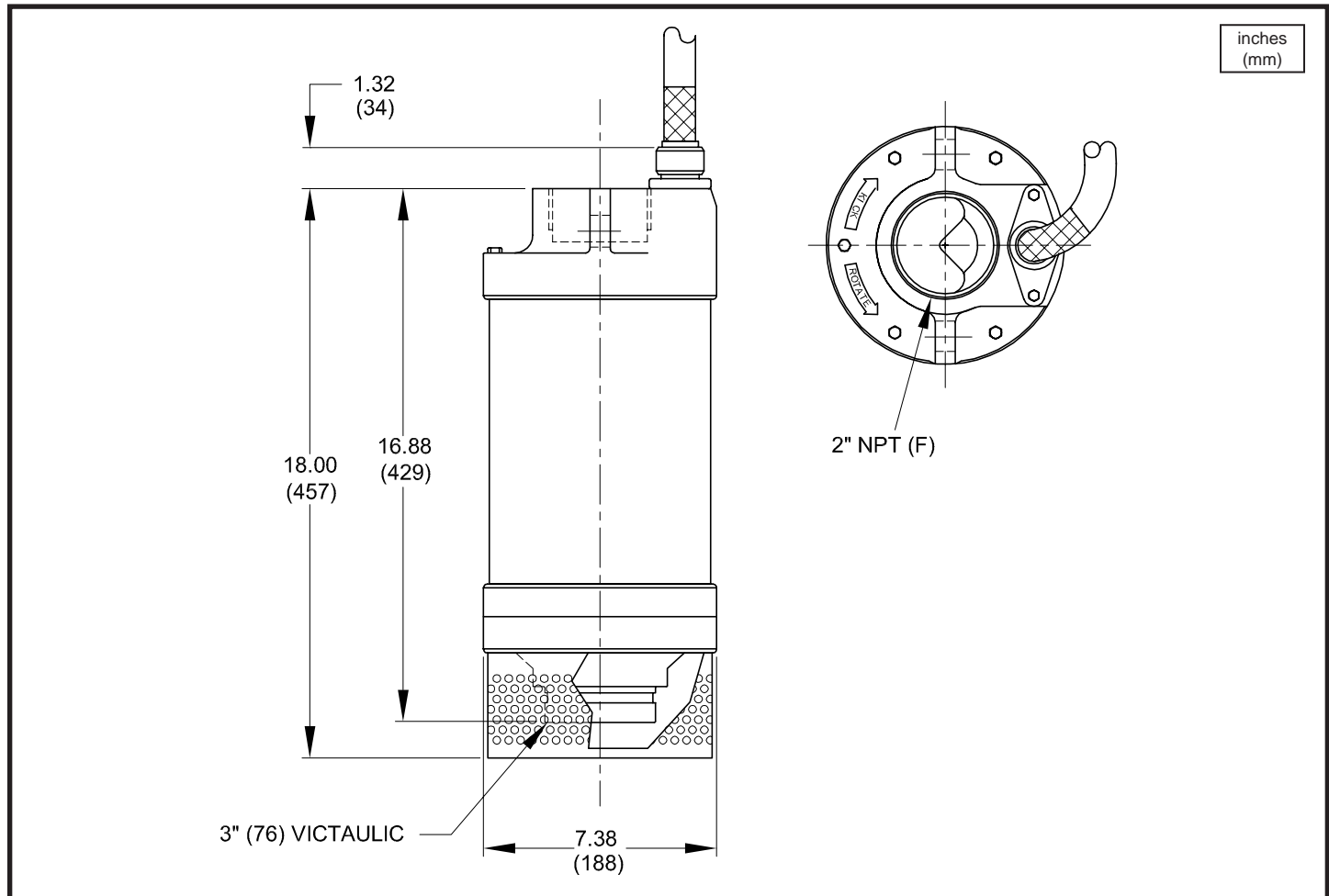
### DESCRIPTION:

Prosser's small but powerful Portable Electric Submersible Pumps are compact, lightweight units. They are quiet and will operate in any position. No priming, suction hose or foot valves are required. Prosser pumps can be easily staged for higher head applications. The patented outboard shaft seal on this pump is a specially designed silicon carbide abrasive resistant type "S" shaft seal, which offers greater service life. A special abrasion resistant suction case lining and wear plate is a standard feature that protects the pump against wear from abrasive laden water.

The unique in-line design assures a cool running motor with heat transferred to the pumped liquid. Prosser pumps can operate in up to 140°F (60°C) temperature water and within a range of 5 to 9PH.

Before pumping fluids other than water consult the factory, giving fluid, fluid temperature, specific gravity, viscosity, capacity in USGPM and total head and/or pressure requirements, including friction loss through discharge line, fittings, valves, etc.

## Submersible Dewatering Pumps



PART NO.	HP	VOLT/PH	Hz	RPM (Nom.)	NEMA START CODE	FULL LOAD AMPS	LOCKED ROTOR AMPS	CORD SIZE	CORD TYPE	MAX. CORD LENGTH
<b>PUMP w/RAINPROOF CONTROL</b>										
9-27112-03	2.75	230/1	60	3450	D	12.5	52.6	12/4	SOW	197Ft./60m
<b>PUMP w/OPTIONAL WATERTIGHT CONTROL</b>										
9-27112-04	2.75	230/1	60	3450	D	12.5	52.6	12/4	SOW	197Ft./60m

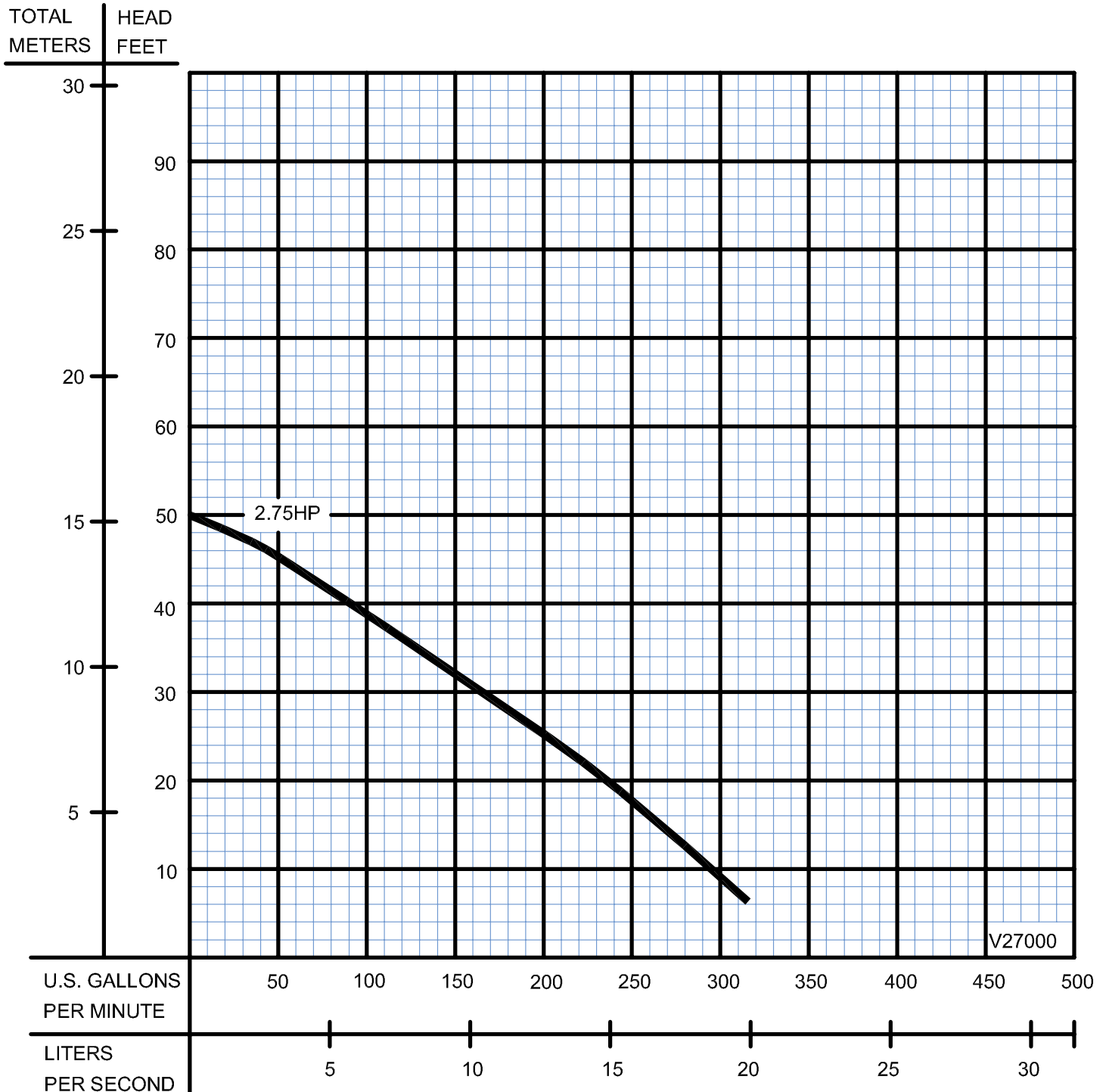
Pump rated for operation at ± 10% voltage at motor.

**IMPORTANT !**

- 1.) PUMP MAY BE OPERATED "DRY" FOR EXTENDED PERIODS WITHOUT DAMAGE TO MOTOR AND/OR SEALS.
- 2.) THIS PUMP IS APPROPRIATE FOR THOSE APPLICATIONS SPECIFIED AS CLASS I DIVISION II HAZARDOUS LOCATIONS. THE CONTROL SUPPLIED WITH THE PUMP IS NOT APPROPRIATE FOR HAZARDOUS LOCATIONS.
- 3.) THIS PUMP IS NOT APPROPRIATE FOR THOSE APPLICATIONS SPECIFIED AS CLASS I DIVISION I HAZARDOUS LOCATIONS.
- 4.) INSTALLATIONS SUCH AS DECORATIVE FOUNTAINS OR WATER FEATURES PROVIDED FOR VISUAL ENJOYMENT MUST BE INSTALLED IN ACCORDANCE WITH THE NATIONAL ELECTRIC CODE ANSI/NFPA 70 AND/OR THE AUTHORITY HAVING JURISDICTION. THIS PUMP IS NOT INTENDED FOR USE IN SWIMMING POOLS, RECREATIONAL WATER PARKS, OR INSTALLATIONS IN WHICH HUMAN CONTACT WITH PUMPED MEDIA IS A COMMON OCCURRENCE.

**SECTION A**  
**PAGE 14**  
**DATE 2/05**

### Submersible Dewatering Pumps



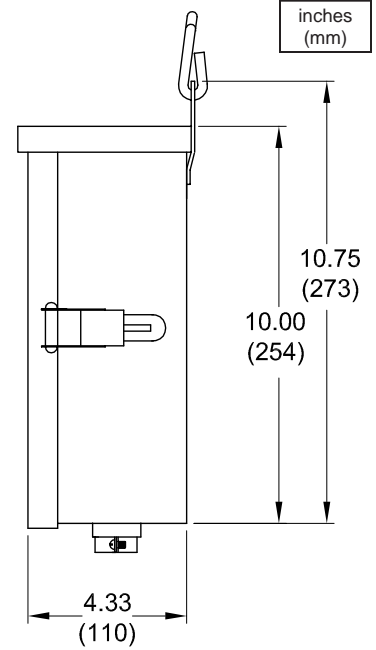
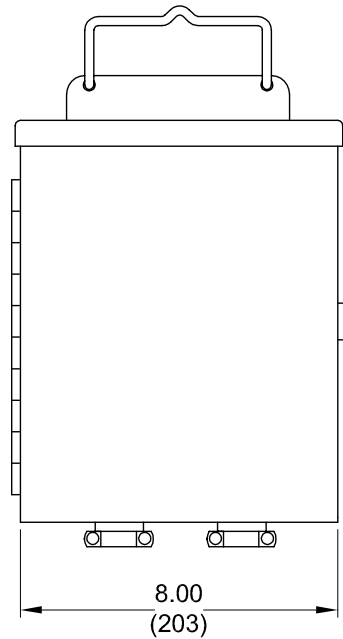
Testing is performed with water, specific gravity 1.0 @ 68° F @ (20°C), other fluids may vary performance

## Submersible Dewatering Pumps

### CONTROL NEMA 3R, RAINPROOF

Pump P/N:  
9-27112-03

Control P/N  
9-270812-03



### OPTIONAL - CONTROL NEMA 4, WATERTIGHT

Pump P/N:  
9-27112-04

Control P/N  
9-270812-04

